










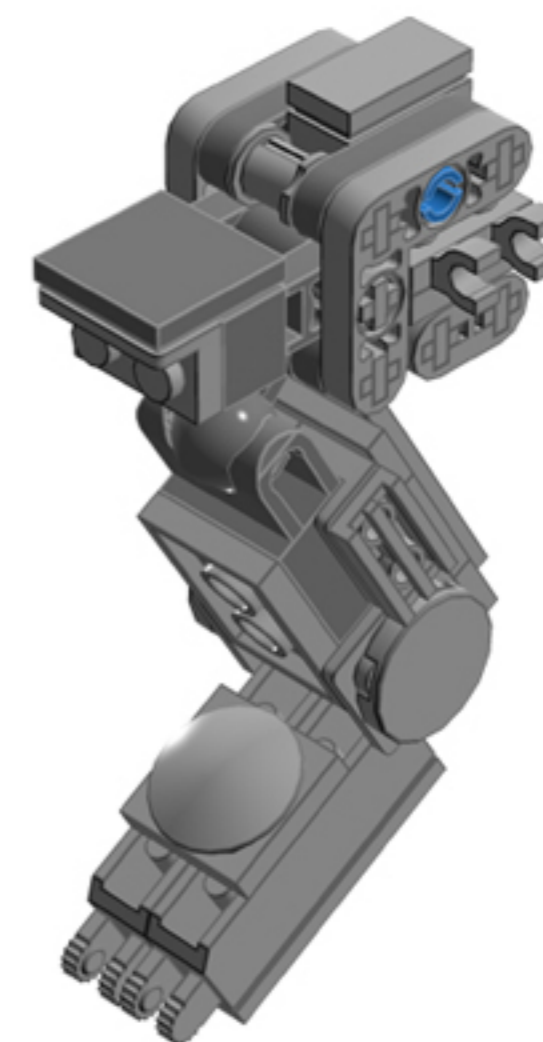


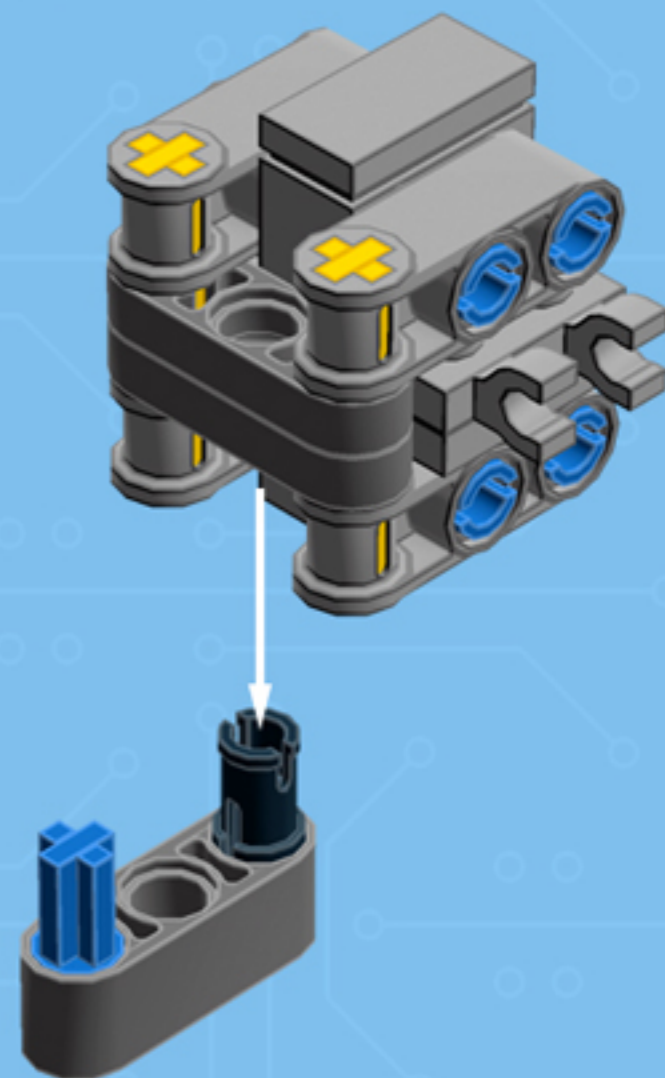
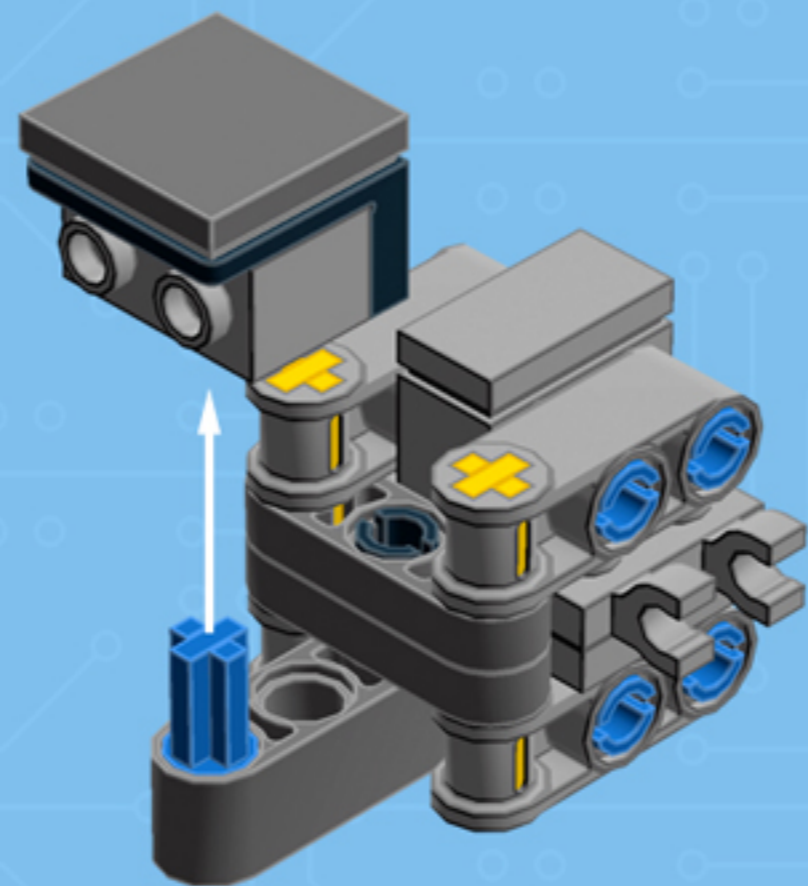
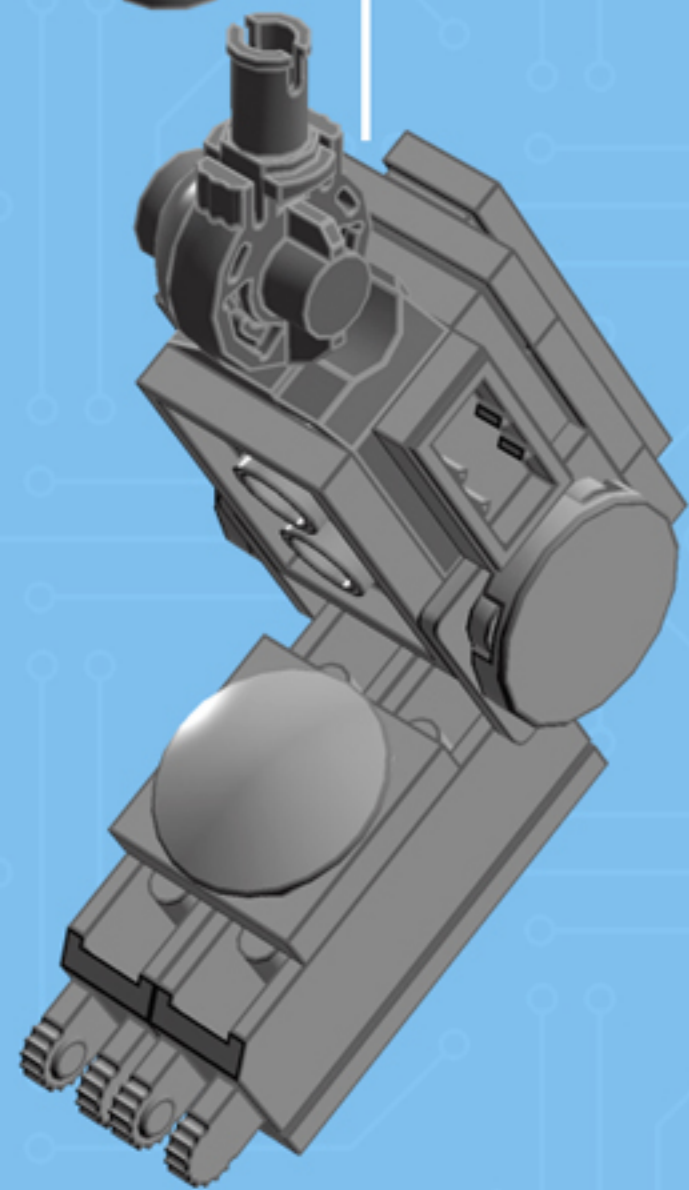
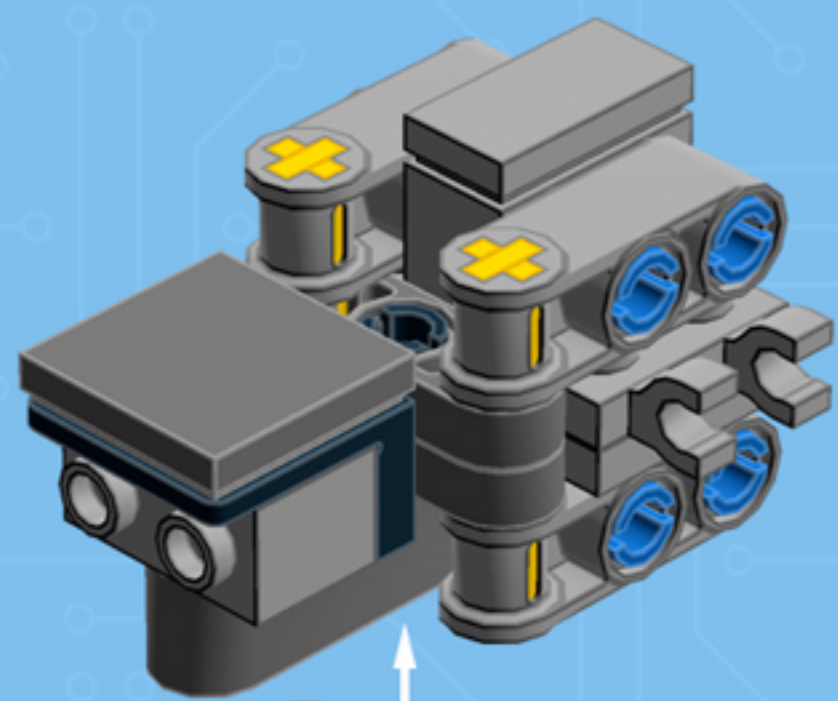
Wall·E Head Mount

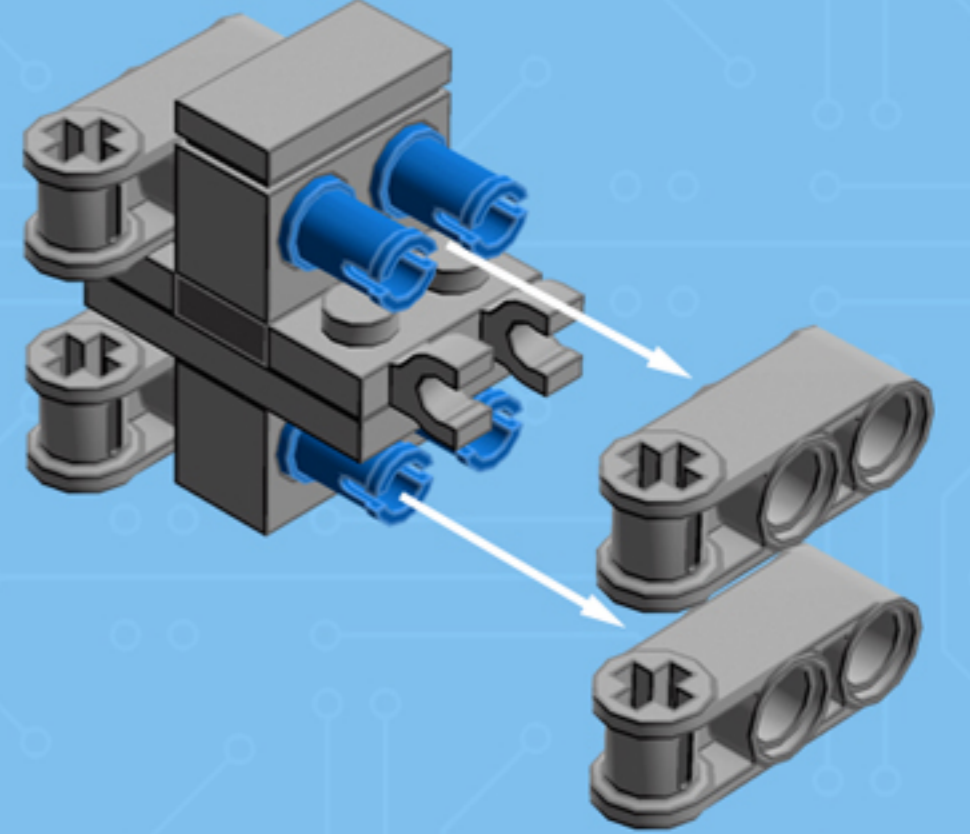
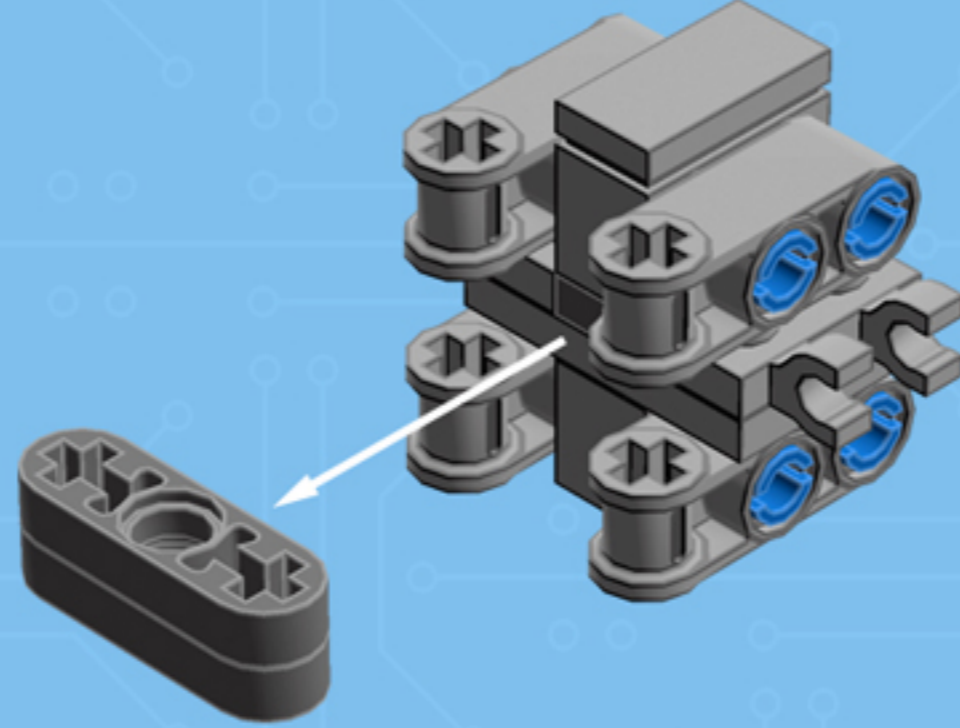
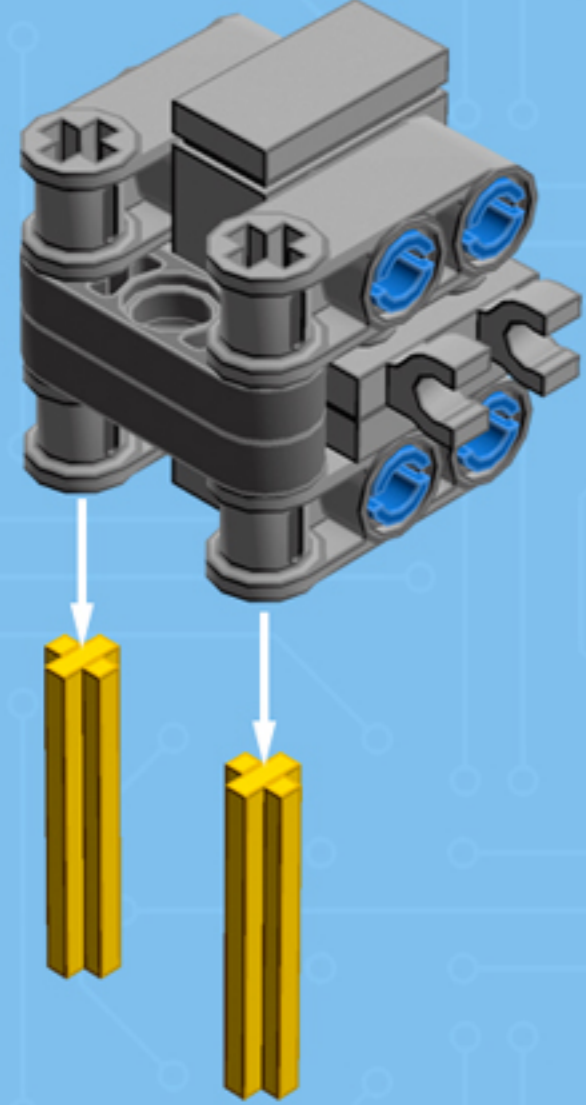
A build modification by Chris McVeigh
chrismcveigh.com

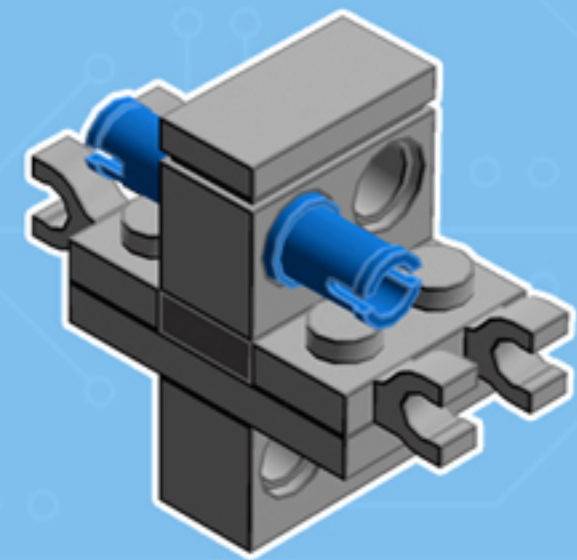
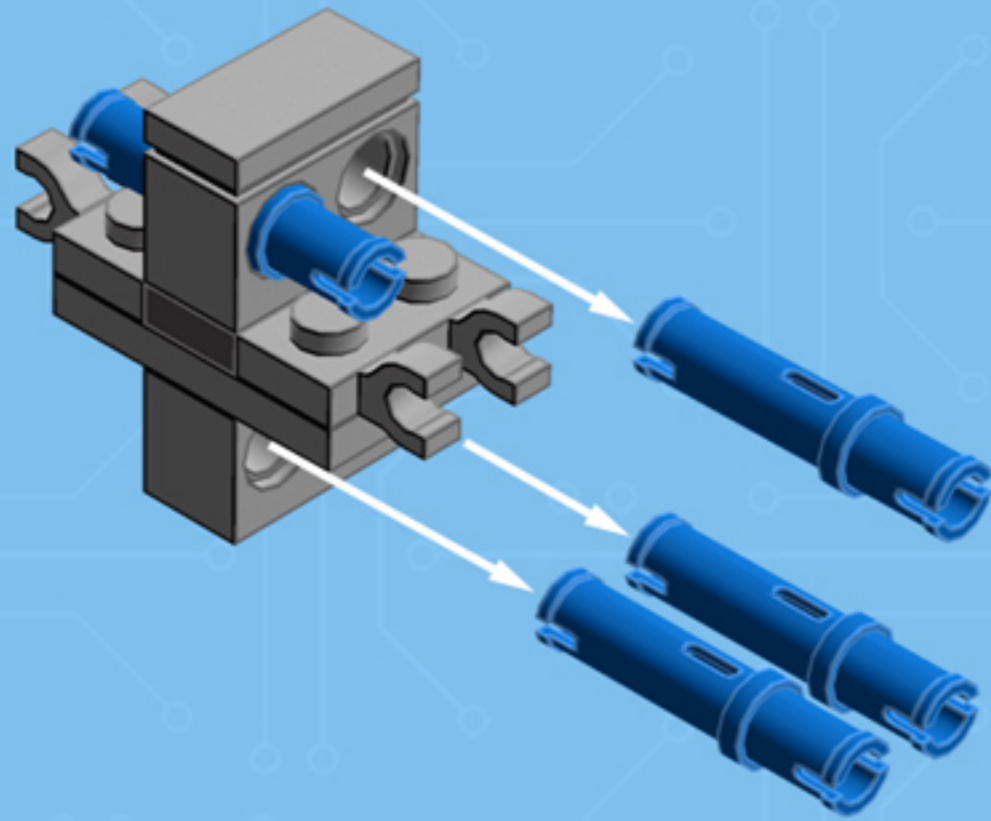
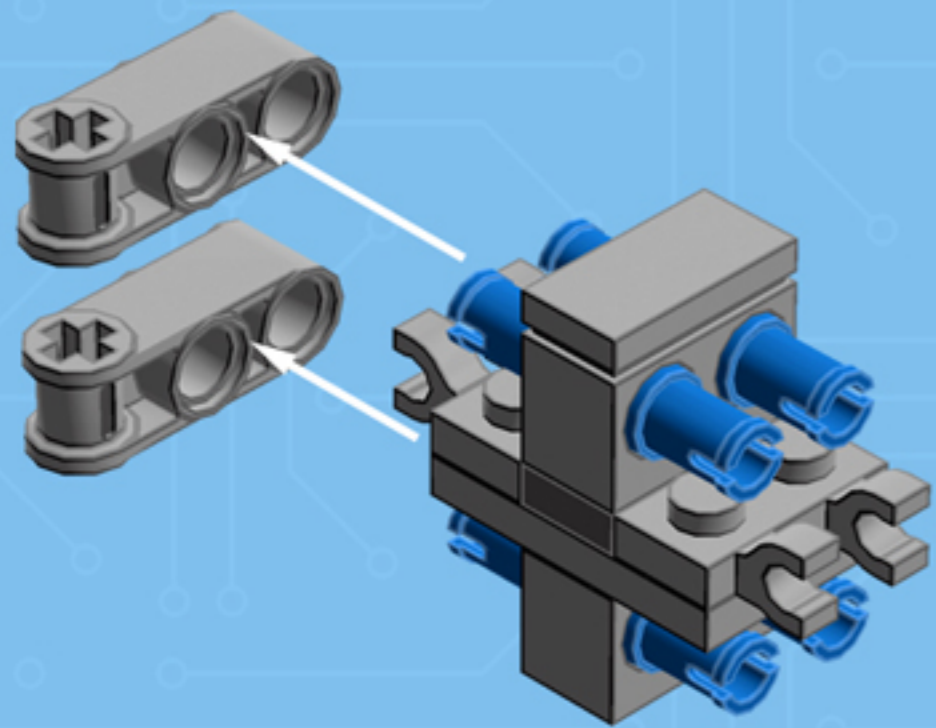
Additional parts required for this modification

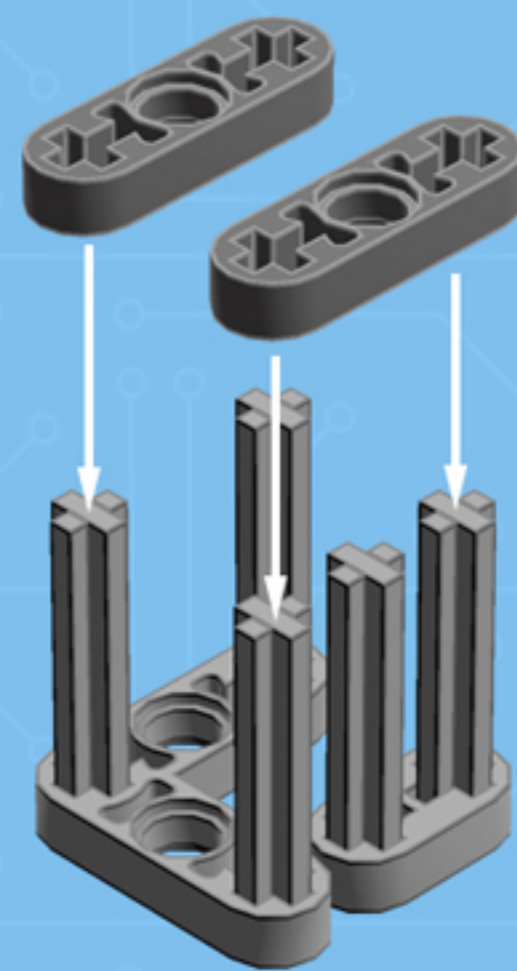
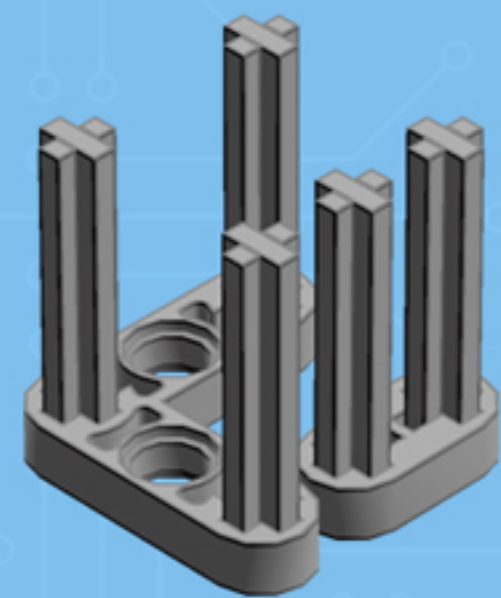
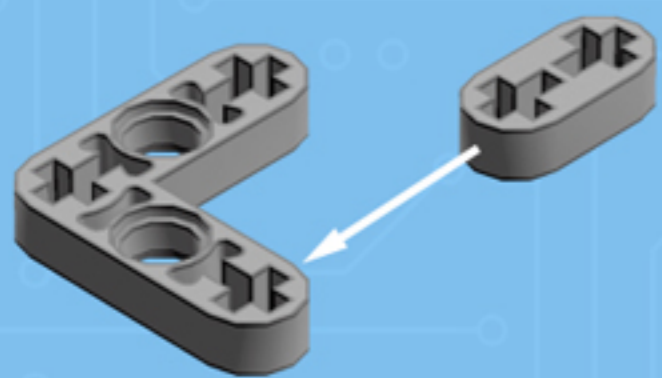
	Element ID	Color	Description	Quantity
	4547958	Dark Stone Grey	2X1 St.Ø4.9 Hole W. Half Beam	1
	4289258	Dark Stone Grey	Beam 2M W. Ball Ø 10.2	1
	4619760	Dark Stone Grey	Brick 2X2 W. Cup For Ball	1
	4223767	Dark Stone Grey	Technic Lever 3M	2
	4654582	Medium Stone Grey	Angular Plate 1,5 Top 1X2 1/2	2
	6004990	Medium Stone Grey	Angular Plate 1.5 Bot. 1X2 1/2	1
	4211622	Medium Stone Grey	Bush For Cross Axle	1
	4211815	Medium Stone Grey	Cross Axle 3M	6
	4211350	Medium Stone Grey	Radiator Grille 1X2	2
	4211741	Medium Stone Grey	Technic Lever 2M	2
	4211574	Medium Stone Grey	Technic Lever 3X3M, 90°	2

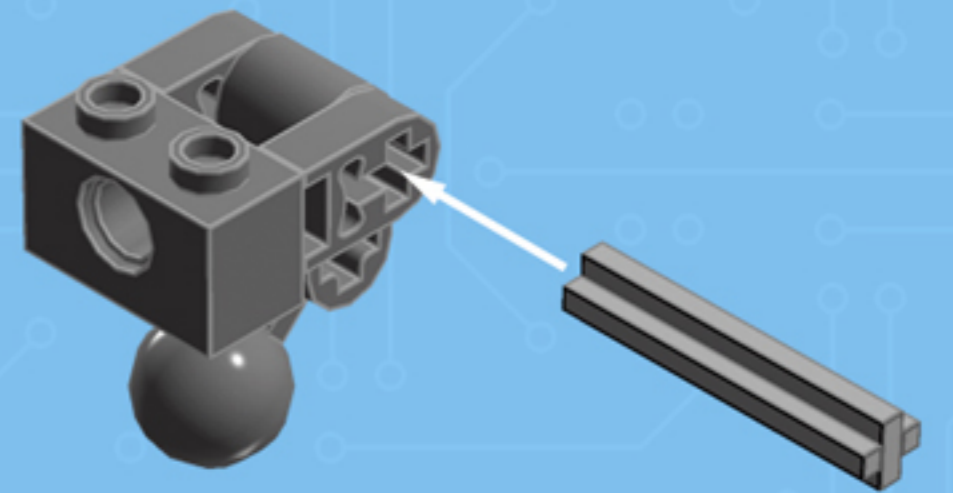
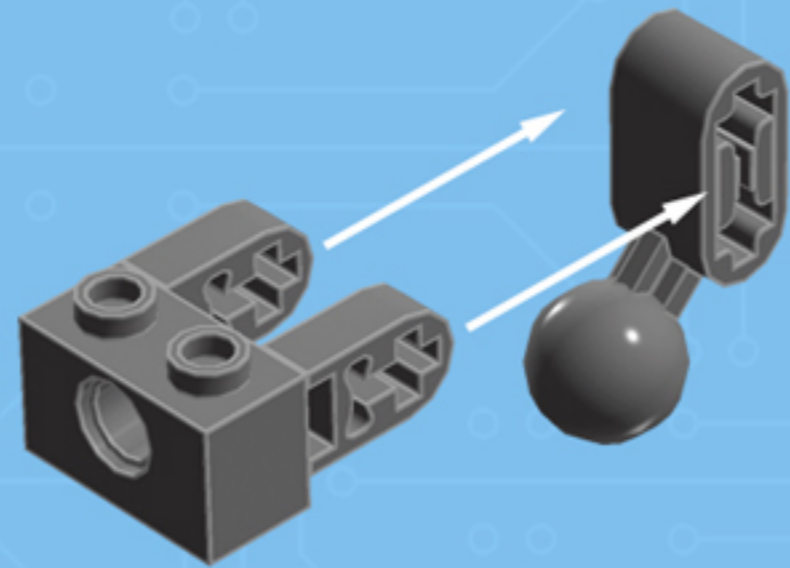
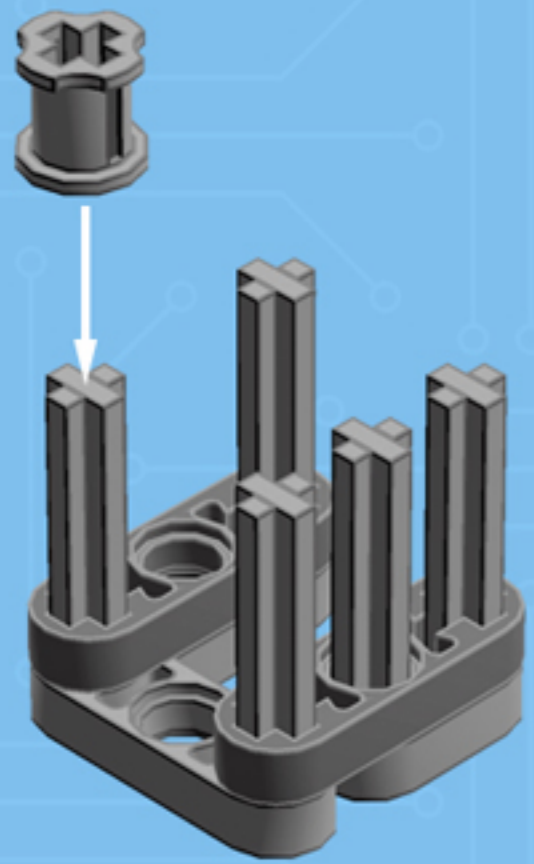


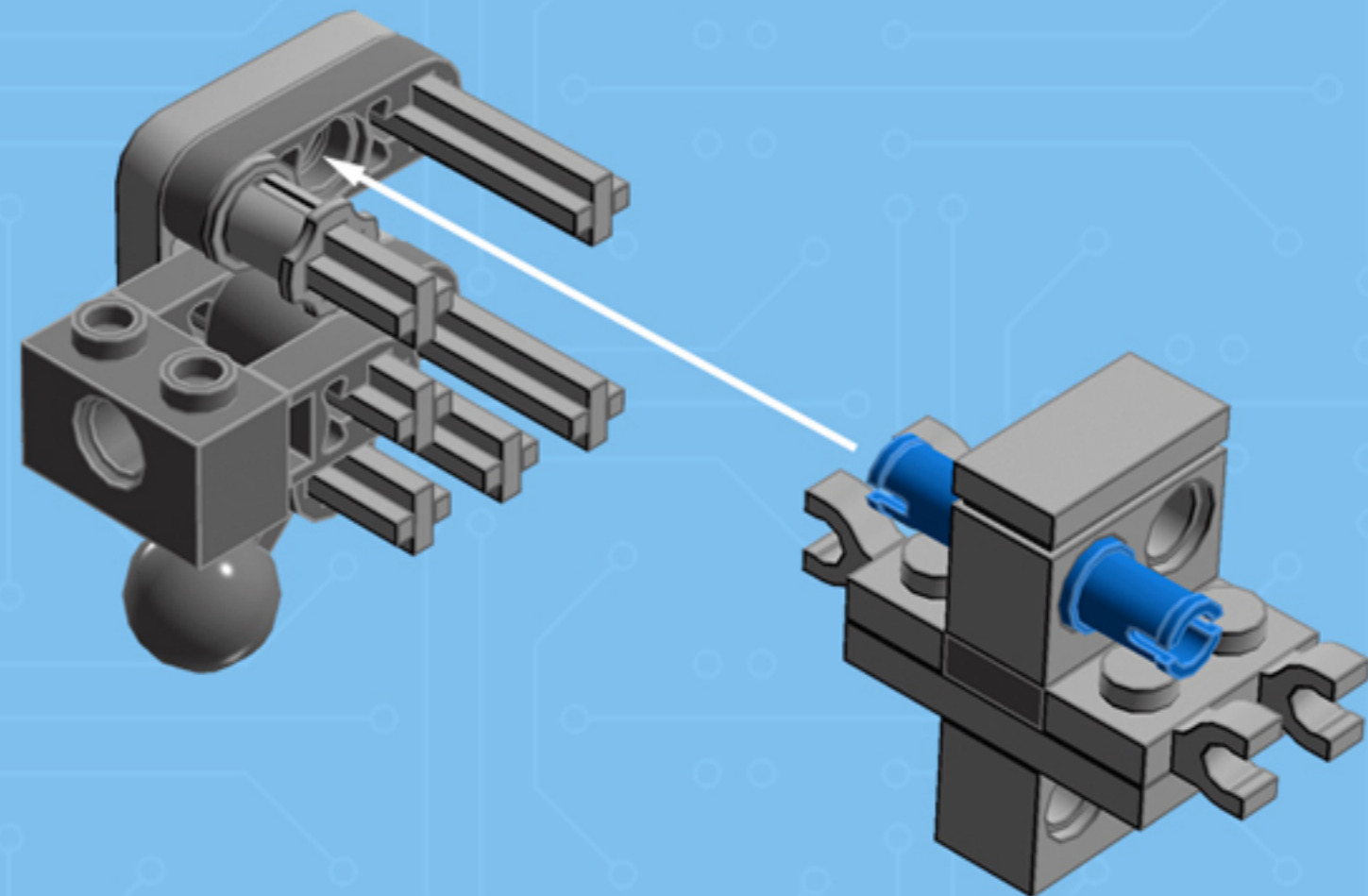
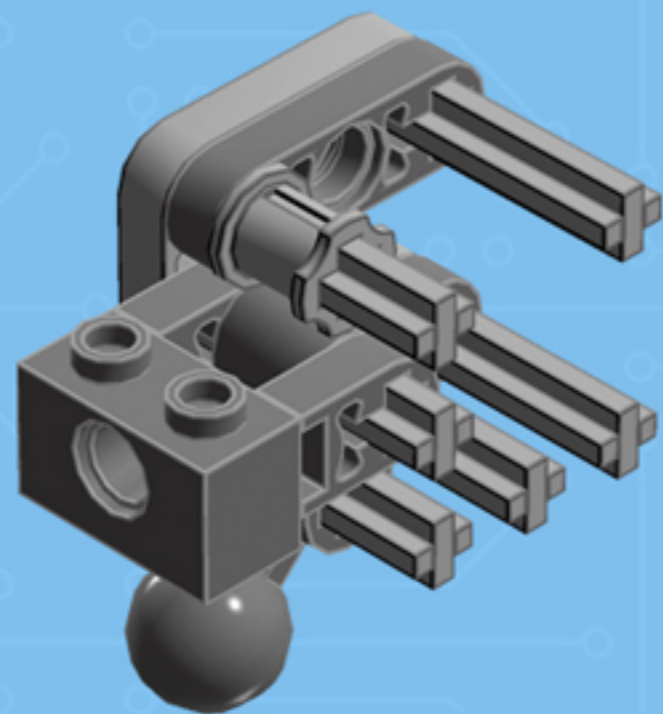
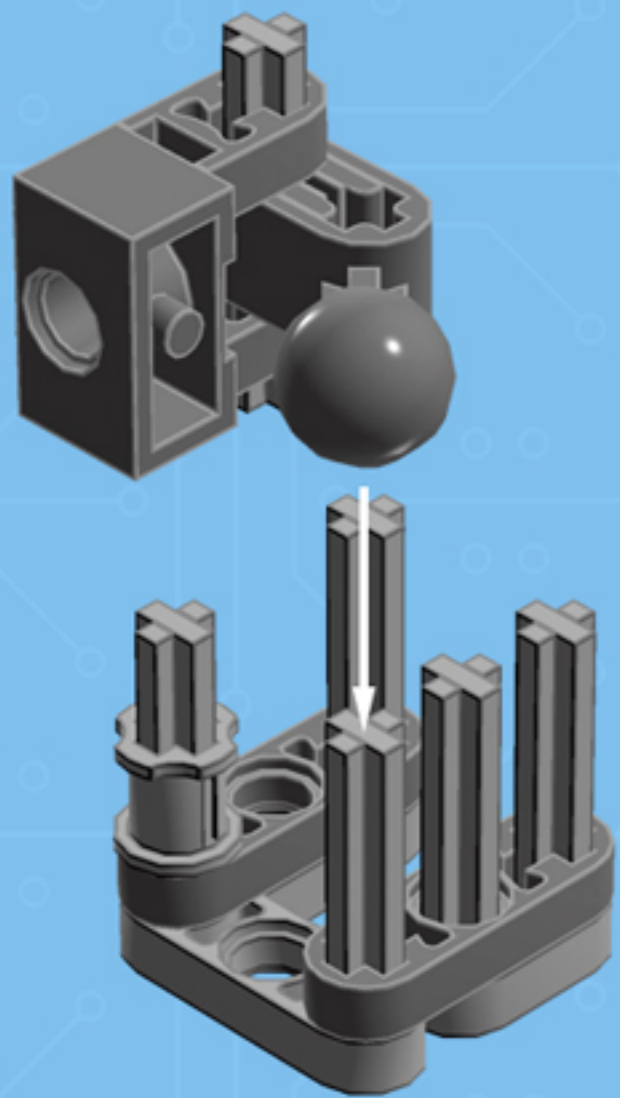


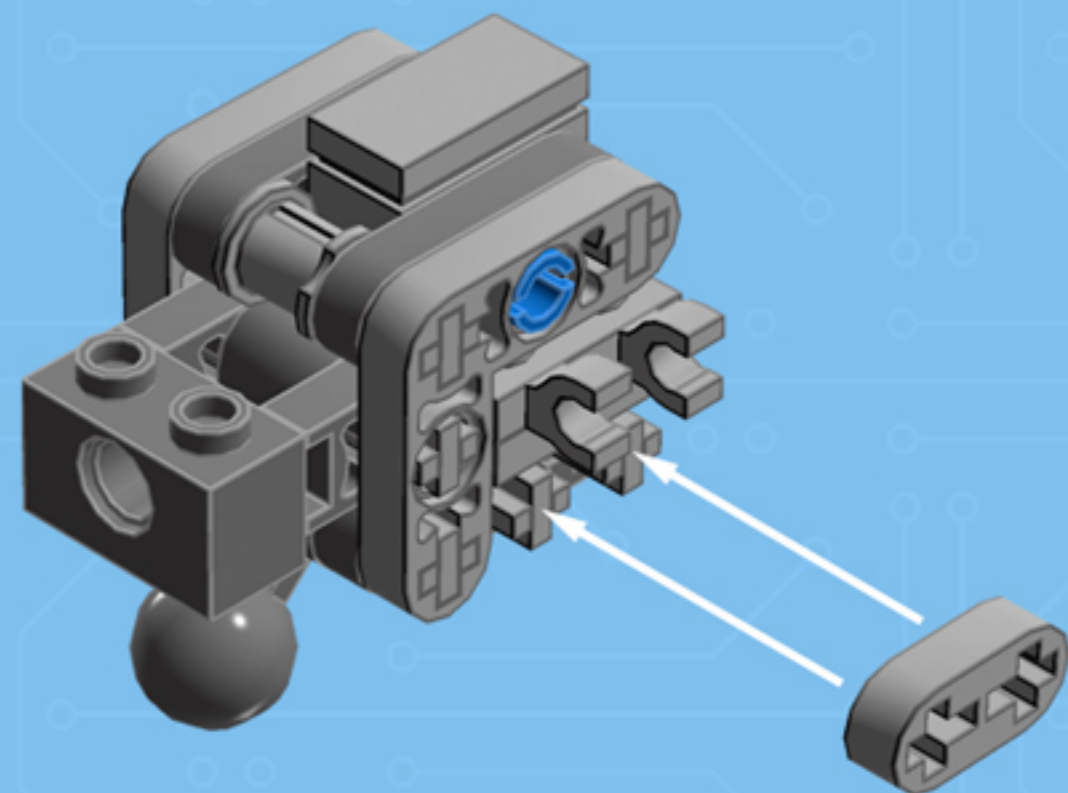
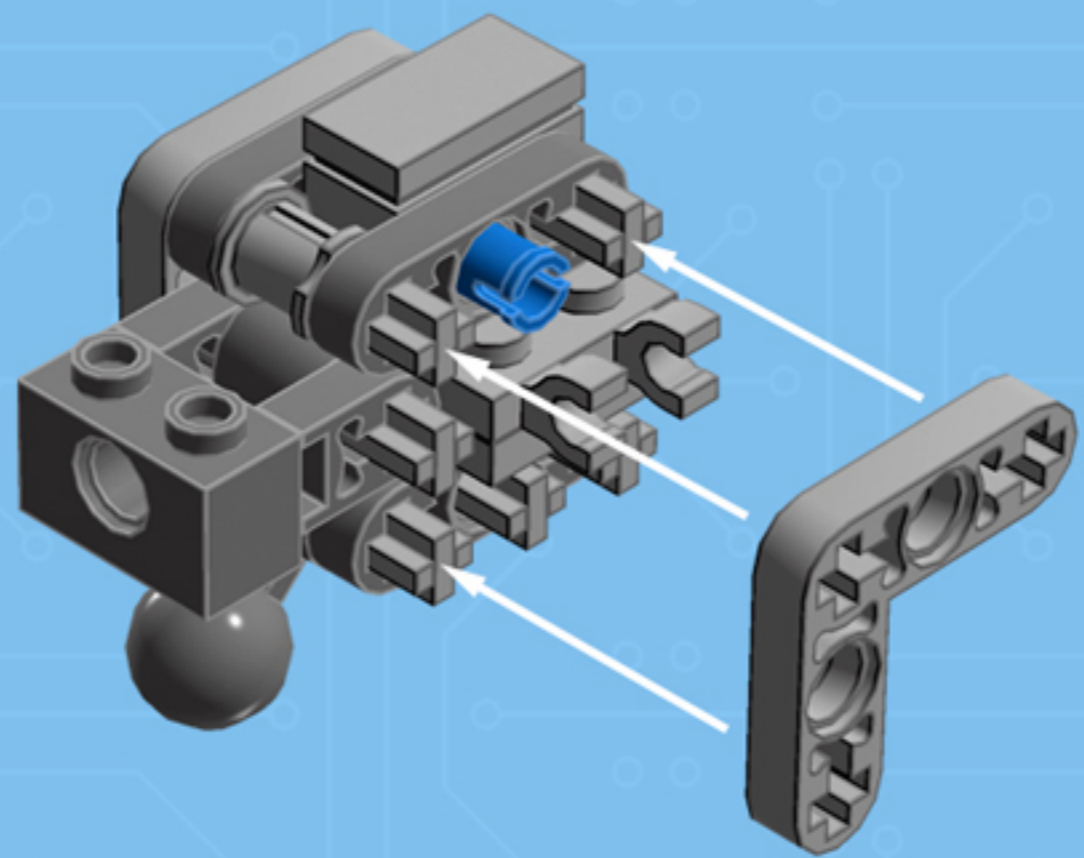
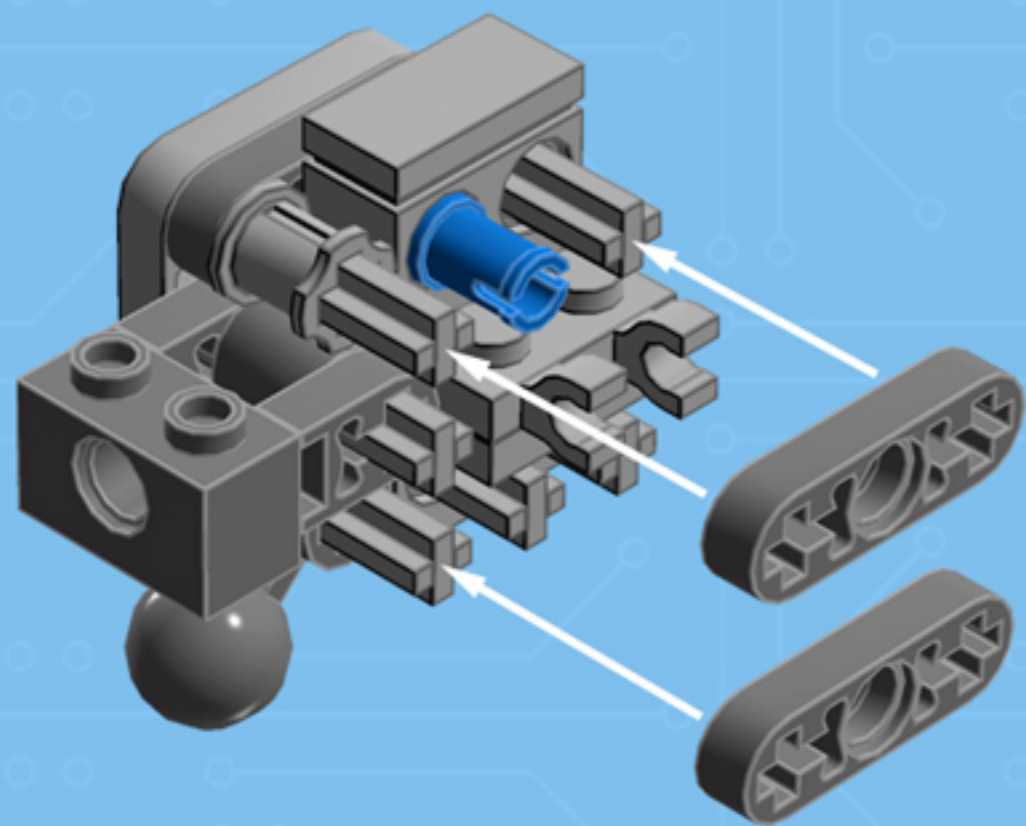


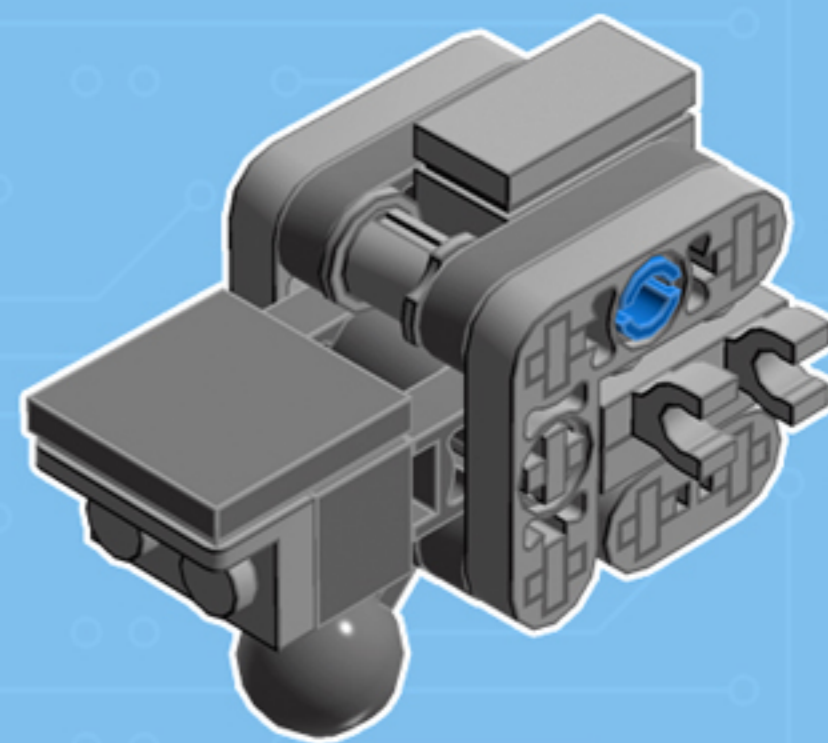
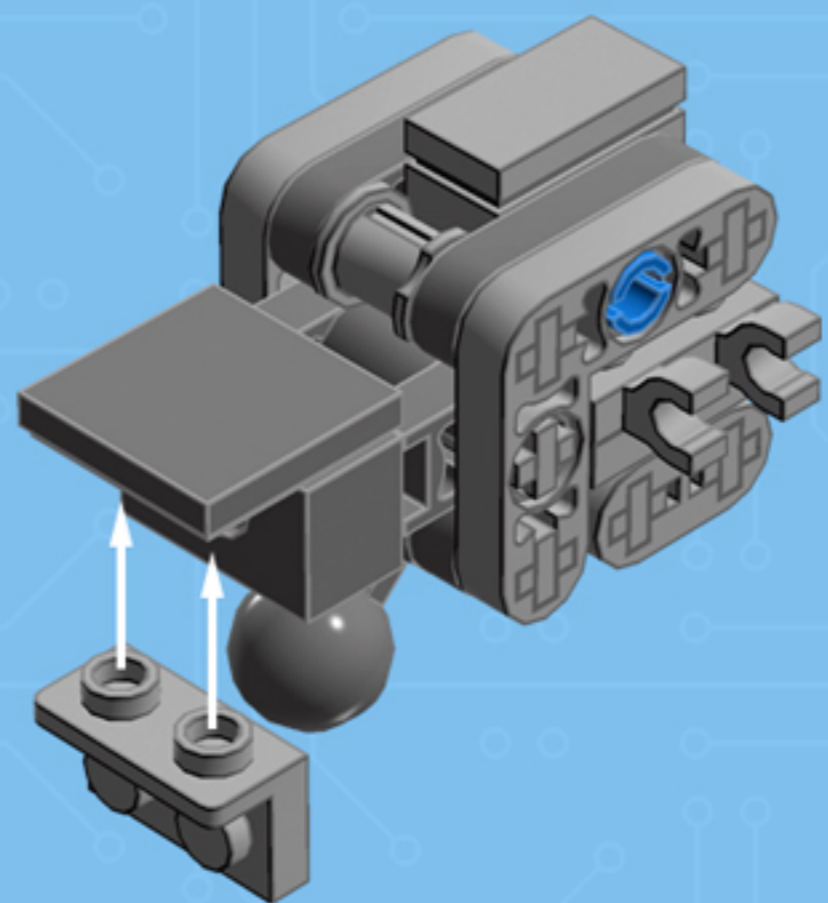
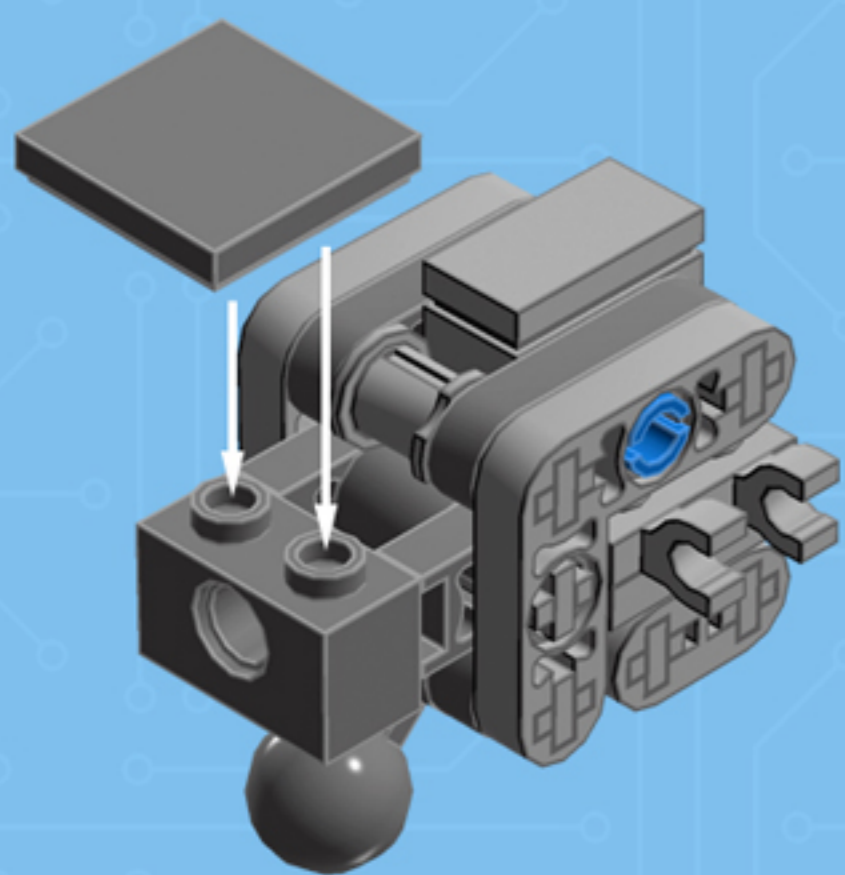


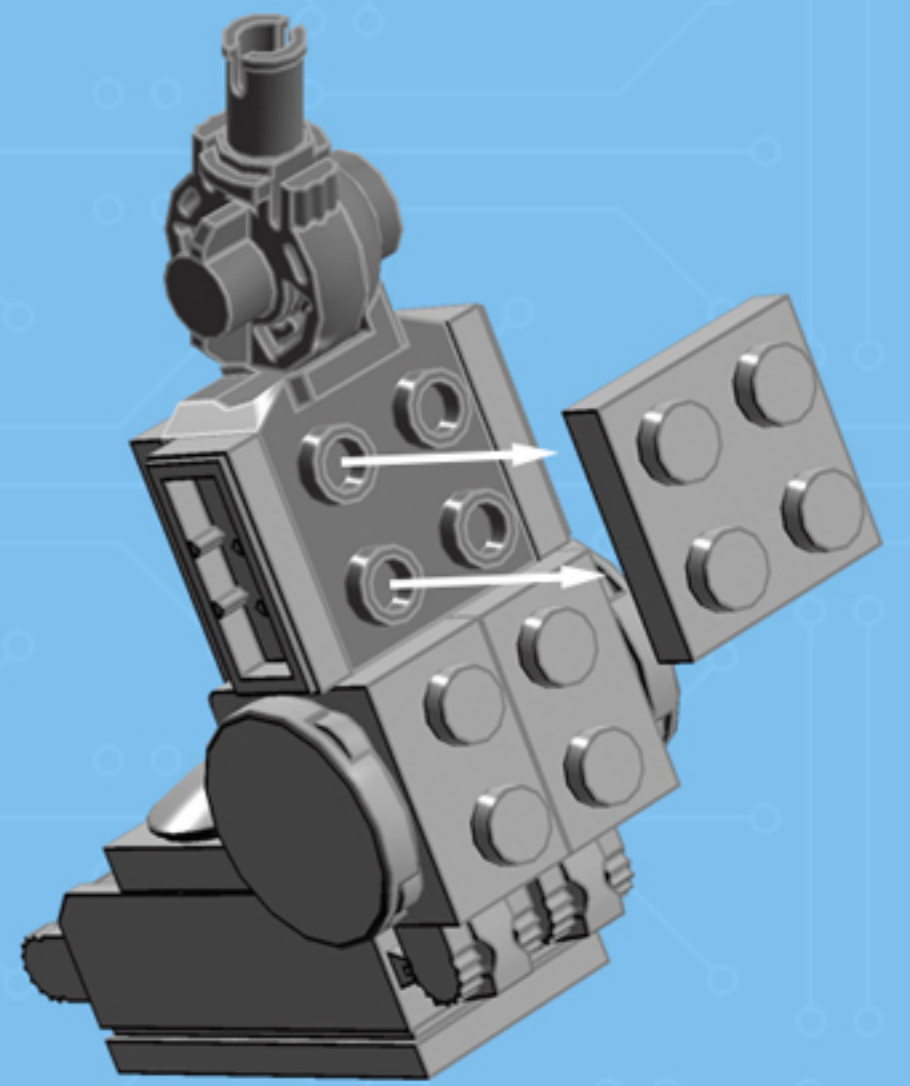
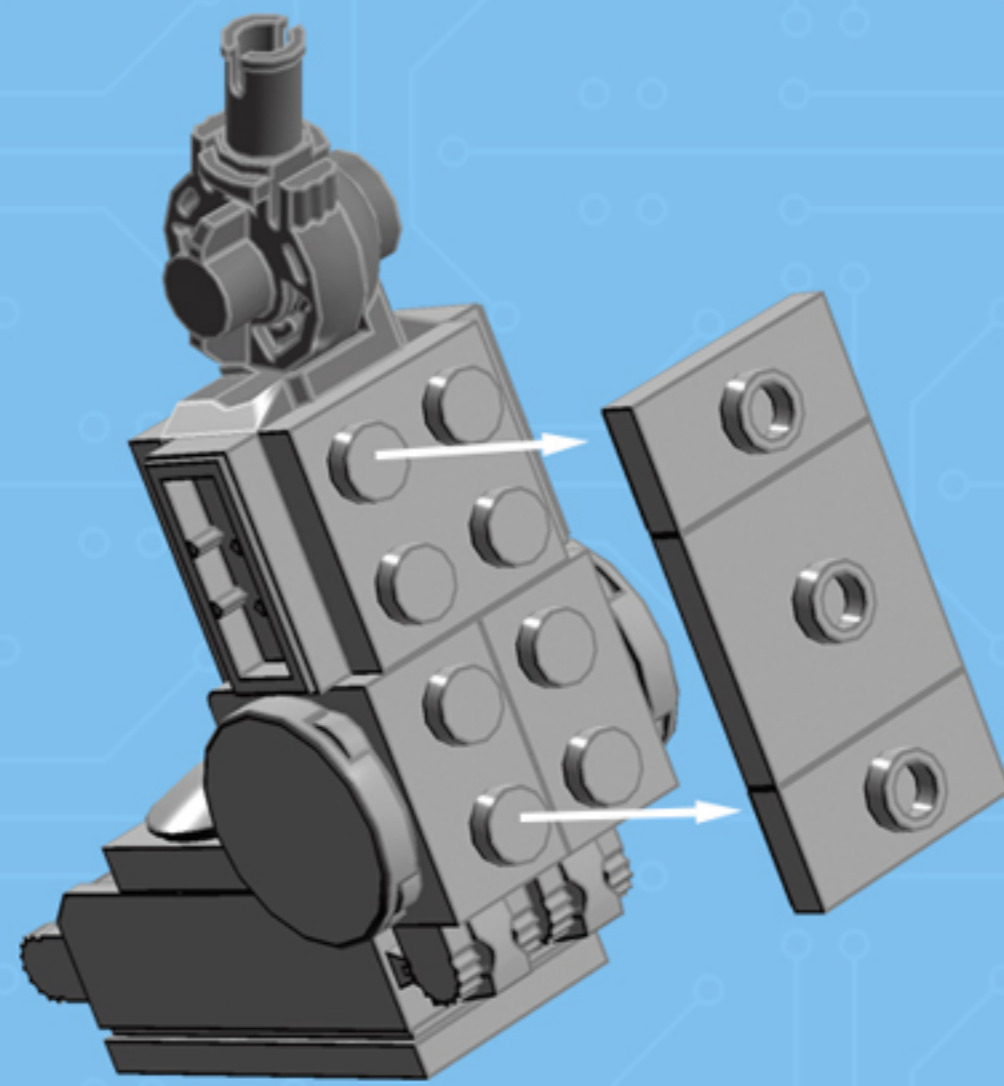
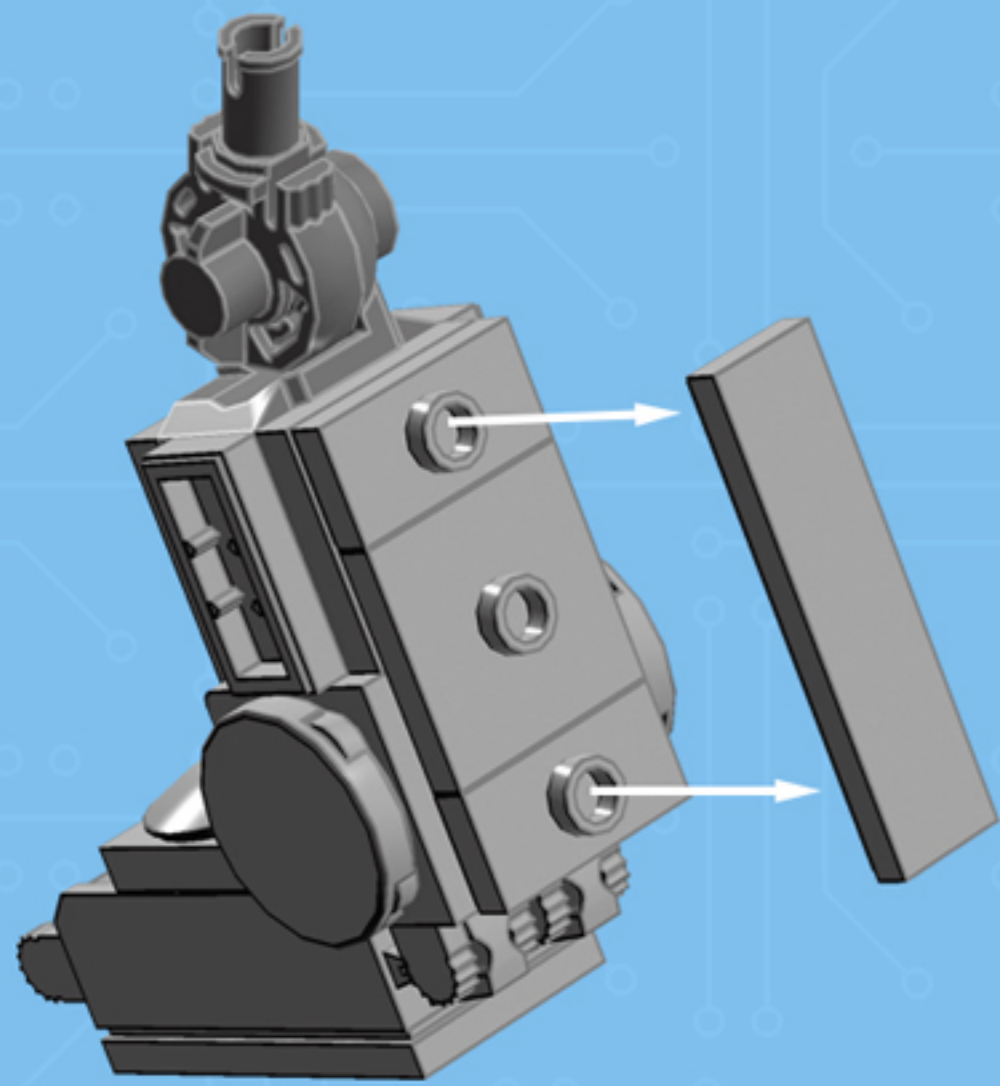


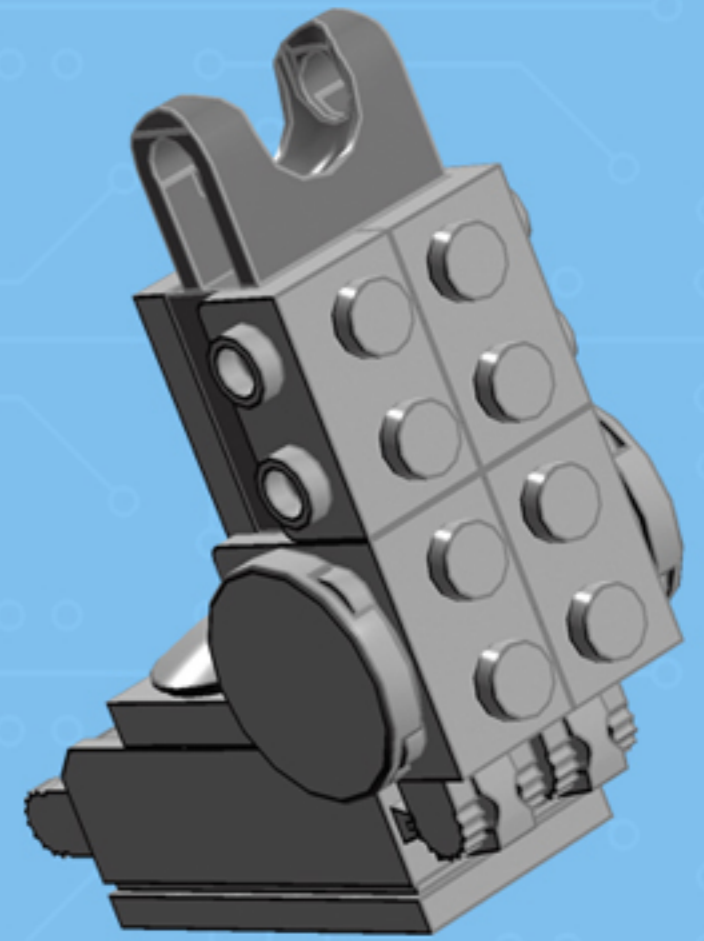
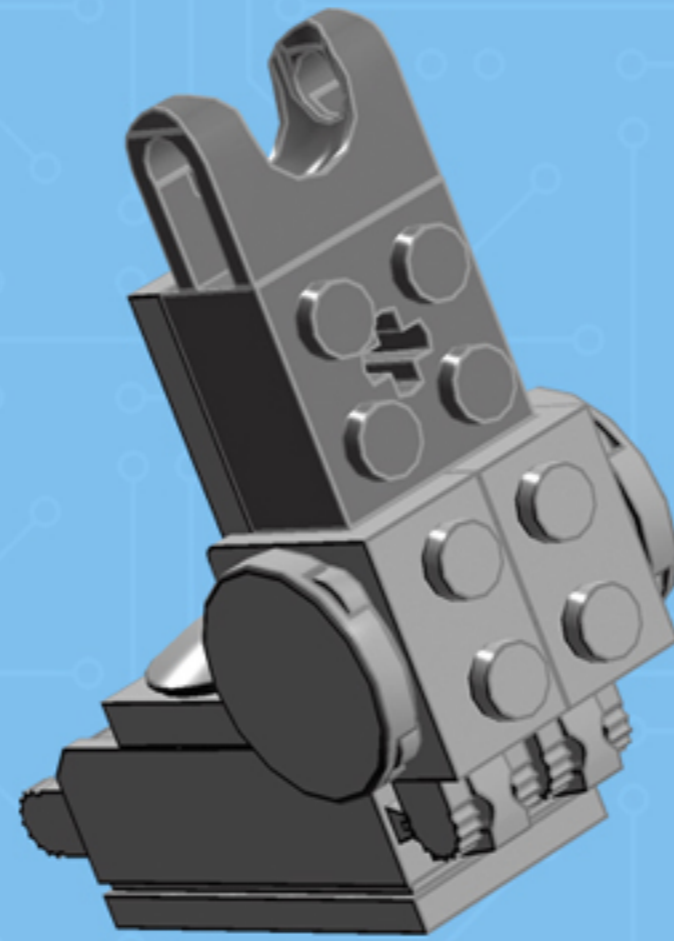
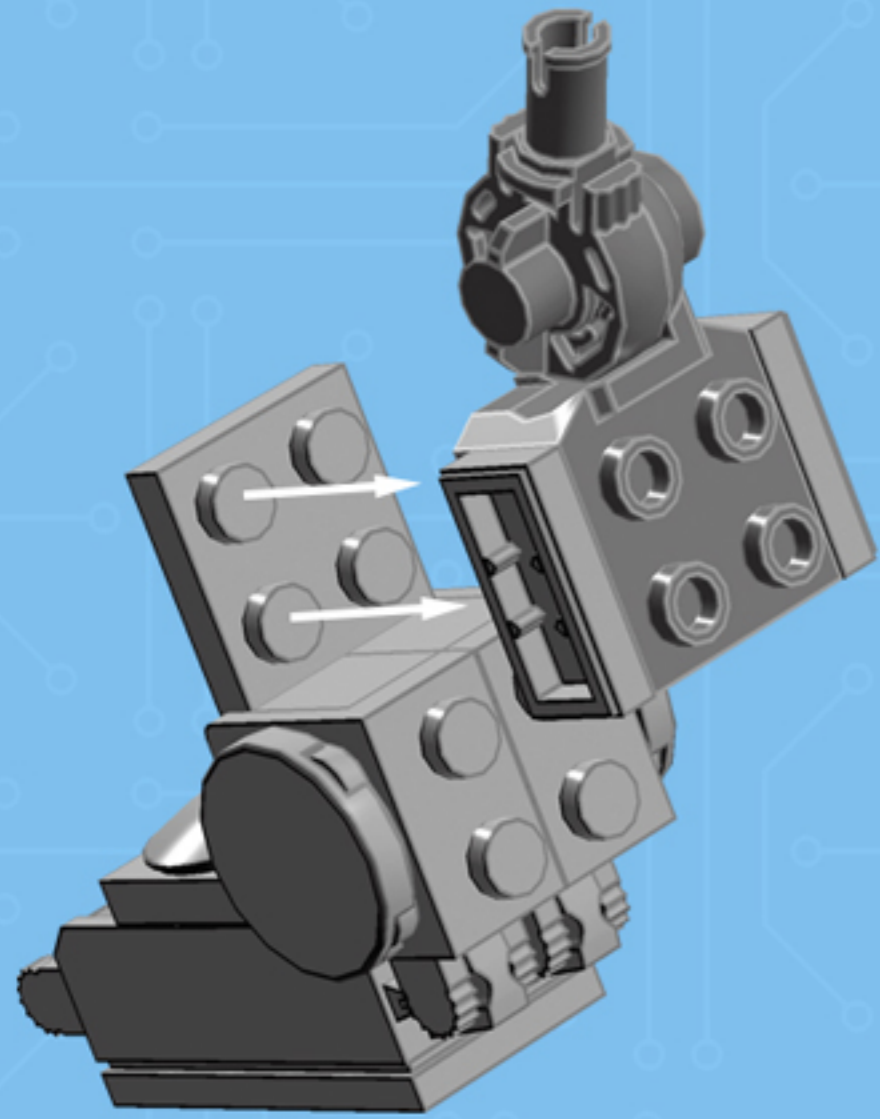


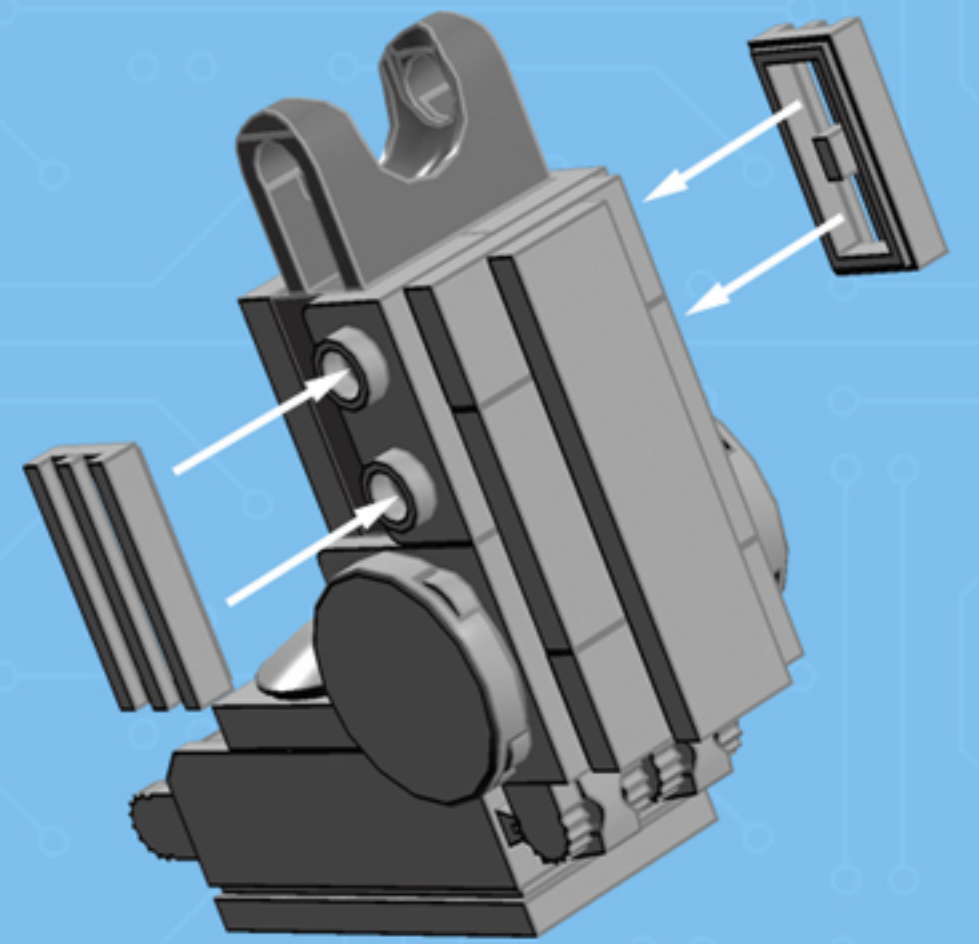
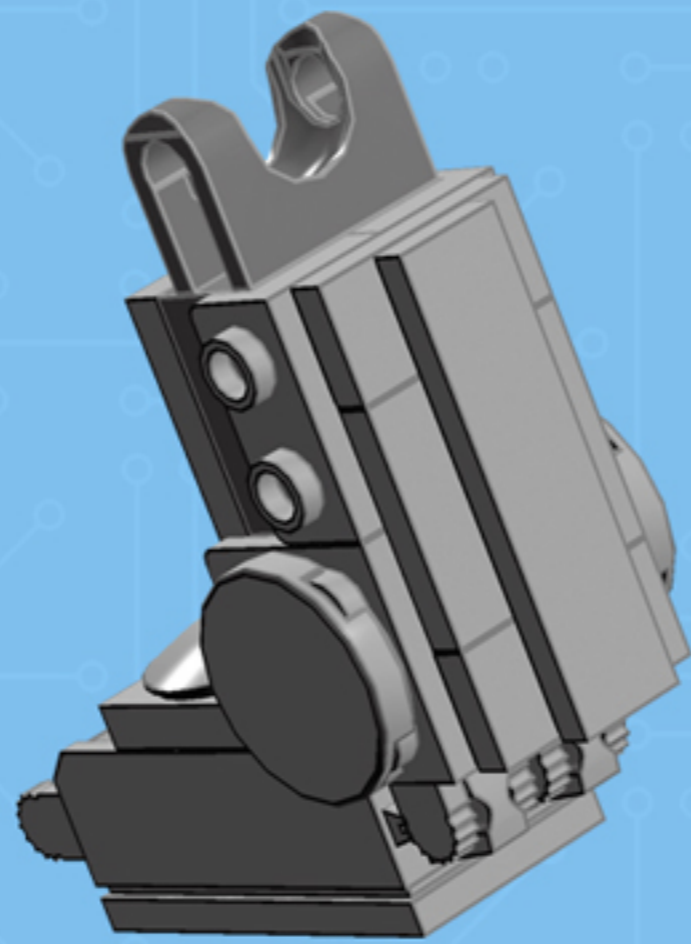
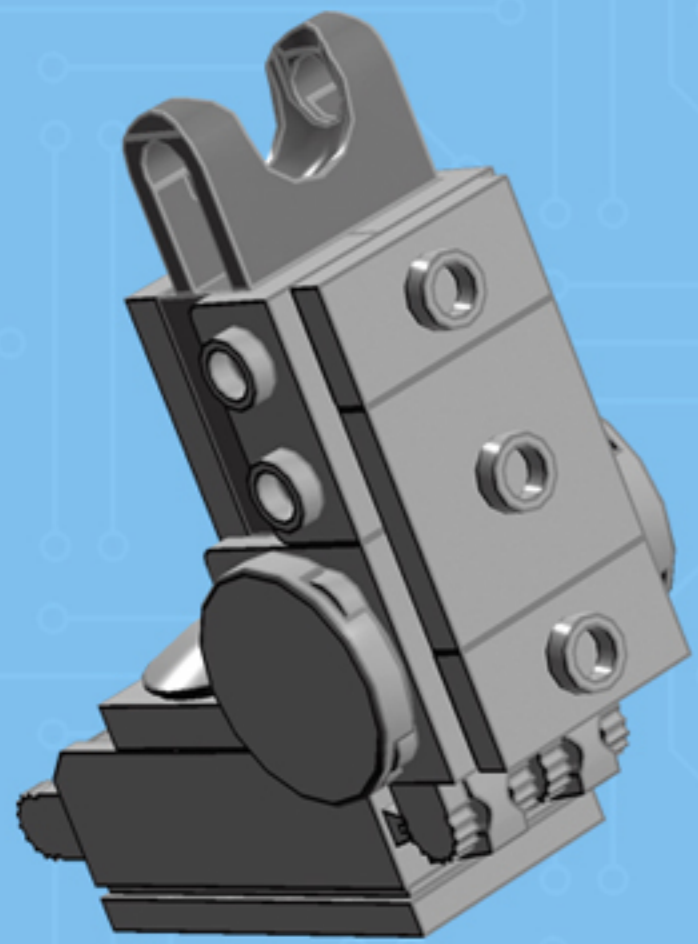


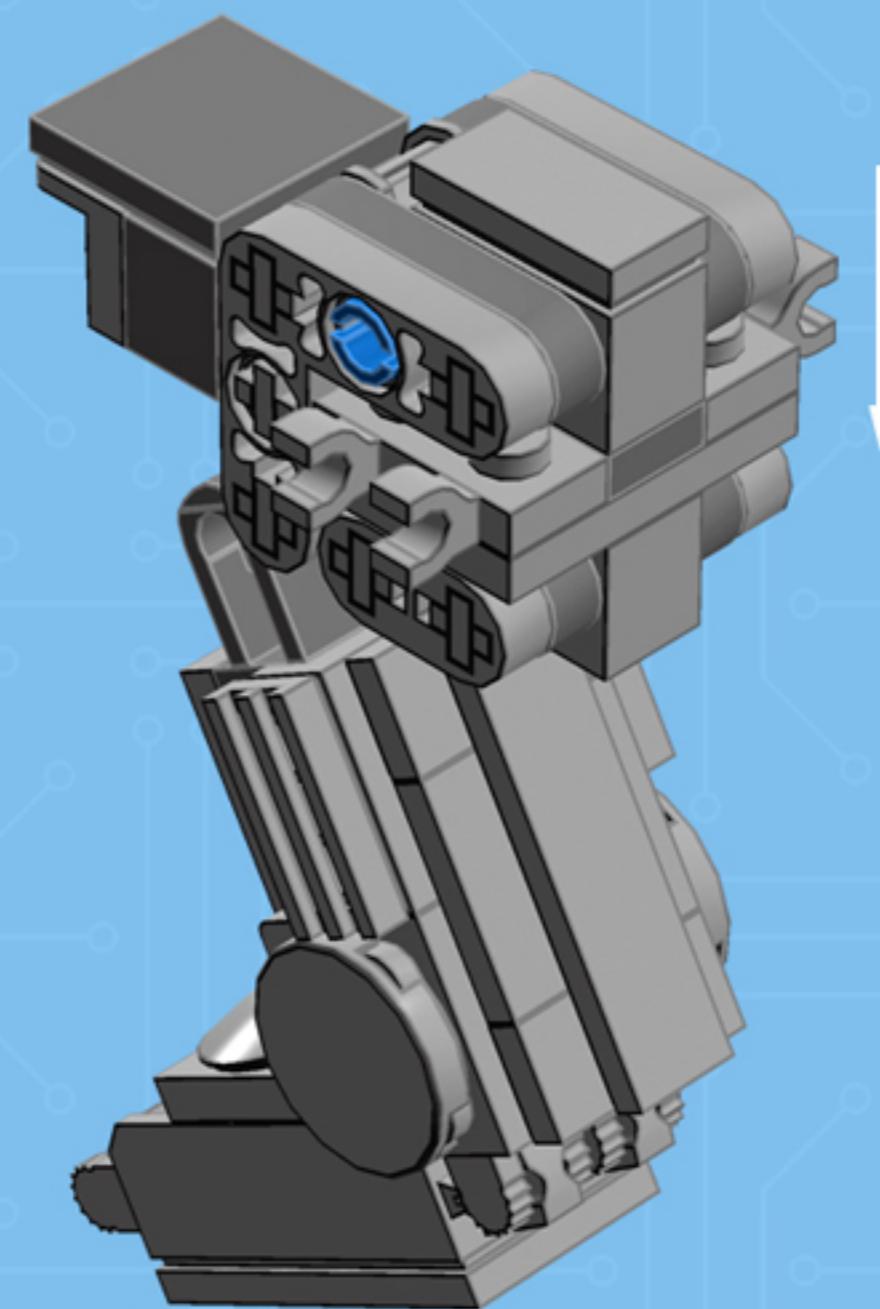
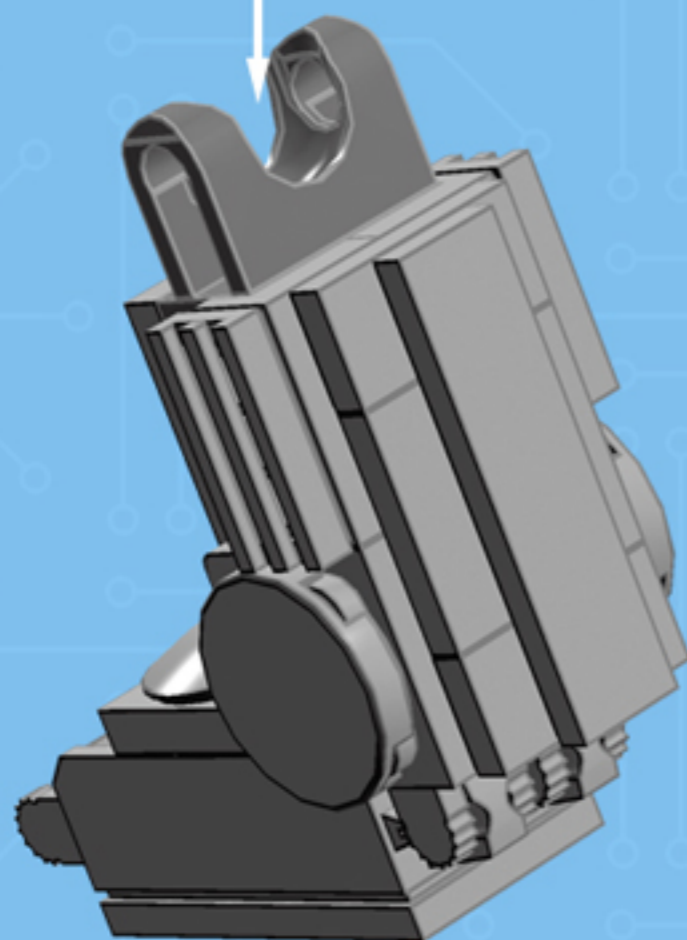
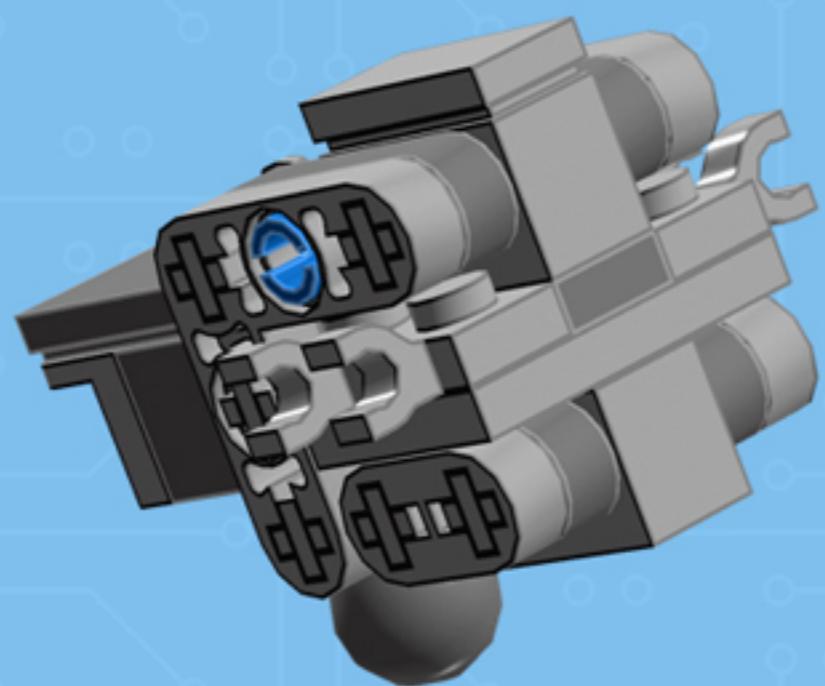












NOTE: Clutch of the ball and cup joints can vary depending on moulding and/or usage. If you find that the head droops, replace the ball and cup parts (Elements 4289258 /4619760).

*For more fun builds,
please pop by chrismcveigh.com,
visit me at facebook.com/c.mcveigh.photos,
or follow me on twitter [@actionfigured](https://twitter.com/actionfigured)*

*This building guide is for personal use only. Unauthorized duplication, distribution and/or modification of this guide,
in whole or in part, is strictly prohibited. LEGO is a registered trademark of The LEGO Group. Wall•E is copyright Disney/Pixar.*